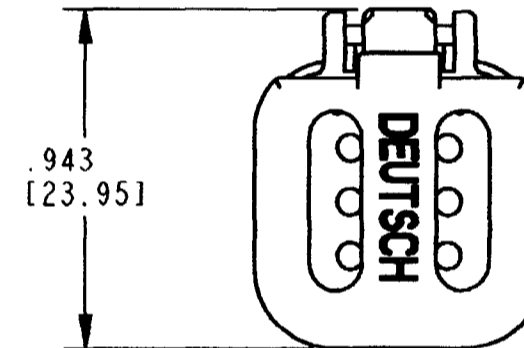
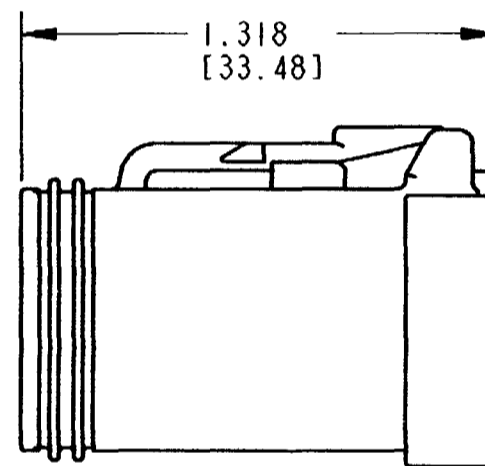
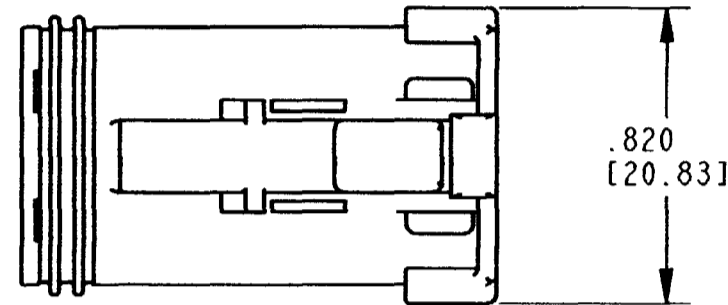
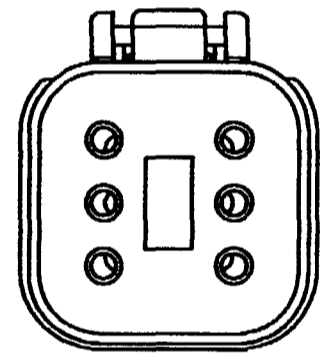


3-DIMENSIONAL VIEW



REV		REVISIONS			
A	DT06-6S-C017	SYM	DESCRIPTION	DATE	APPROVED
		NC	NEW RELEASE PER E.O. P17932	11/1/02	R.D.R.
		A	REVISED PER E.O. P19376	10-23-06	RDR

- NOTES:
1. DIMENSIONS ARE IN INCHES [MILLIMETERS] .
 2. DIMENSIONS ARE $\pm .025$ [0.63] UNLESS OTHERWISE SPECIFIED.
 3. THIS PLUG MATES WITH DT04-6P-**** RECEPTACLE. (**** = ALL MODIFICATIONS). CONSULT FACTORY FOR MODIFICATION.
 4. COLOR: SHELL : GRAY; WEDGE : ORANGE
 5. MATERIAL: SHELL, WEDGE : PLASTIC
SEALS : RUBBER

SIGNATURE & DATE		6 WAY PLUG -C017 MOD. D.T. SERIES	EP	MATL. CODE	
DR	T. YOHANNES 10OCT02		The Deutch Company DEUTSCH I.P.D. 3850 INDUSTRIAL AVE. HEMET, CALIF. 92545		
CHK	<i>[Signature]</i> 10/20/06		B	DT06-6S-C017	
PE	<i>[Signature]</i> 10/1/06			DWG SIZE	CODE 11139
APPD	<i>[Signature]</i> 10/20/06	ENVELOPE			
SCALE	NONE WT				